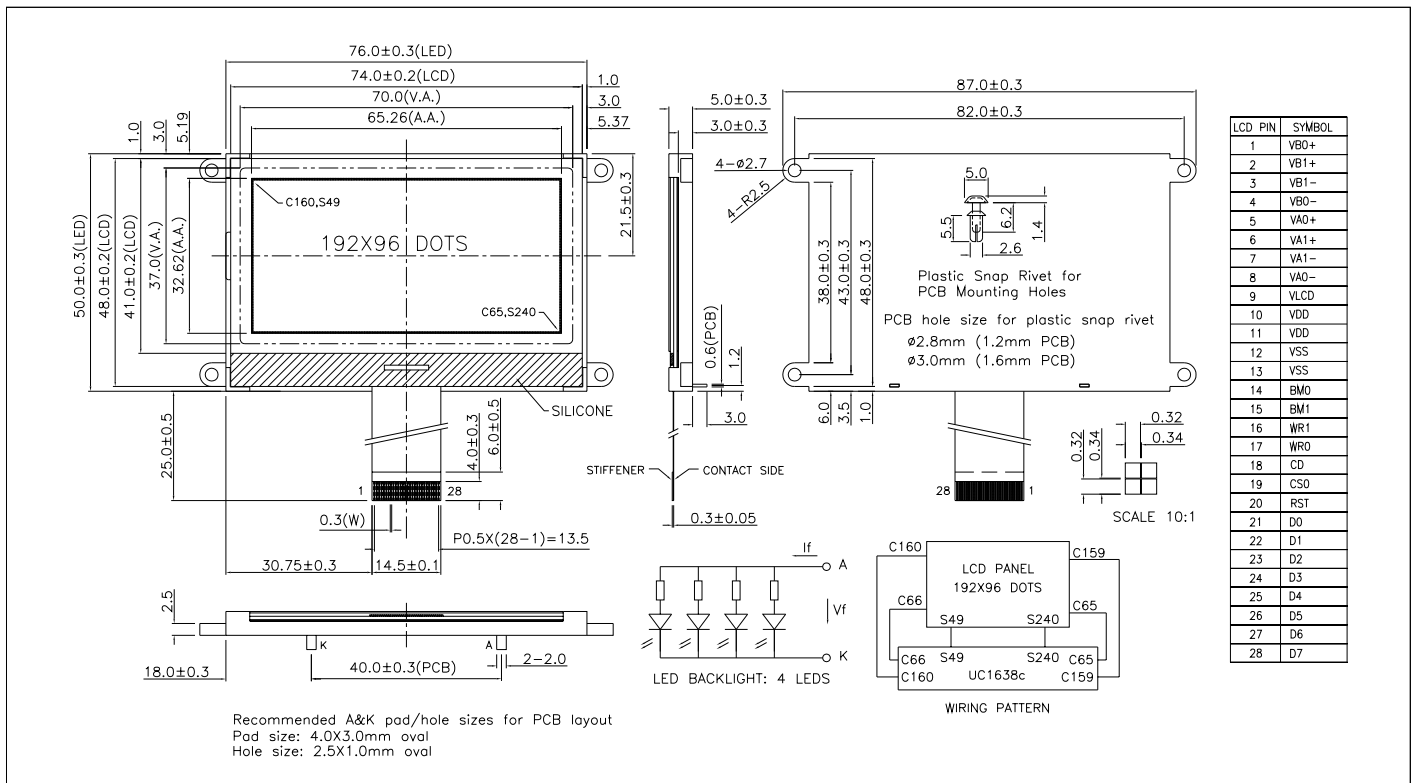


# RDG192961-DW 192 x 96 dots + white led backlight, 8-bit parallel, SPI or I<sup>2</sup>C, 3.3V



## ABSOLUTE MAXIMUM RATINGS

Item	Symbol	Min.	Max.	Unit
Supply Voltage(Logic)	V <sub>DD</sub> - V <sub>SS</sub>	-0.3	4.0	V
Supply Voltage(LCD)	V <sub>LCD</sub> - V <sub>SS</sub>	-0.3	19.8	V
Input Voltage	V <sub>I</sub>	-0.4	V <sub>DD</sub> + 0.5	V
Operating Temp.	T <sub>opr</sub>	-20	70	°C
Storage Temp.	T <sub>stg</sub>	-30	80	°C

## MECHANICAL DATA

Item	Nominal Dimensions	Unit
Module Size (W x H x T)	87.0 x 50.0 x 8.0	mm
Viewing Area (W x H)	70.0 x 37.0	mm
Dot Pitch (W x H)	0.34 x 0.34	mm
Dot Size (W x H)	0.32 x 0.32	mm
Weight	Approx. 28	g

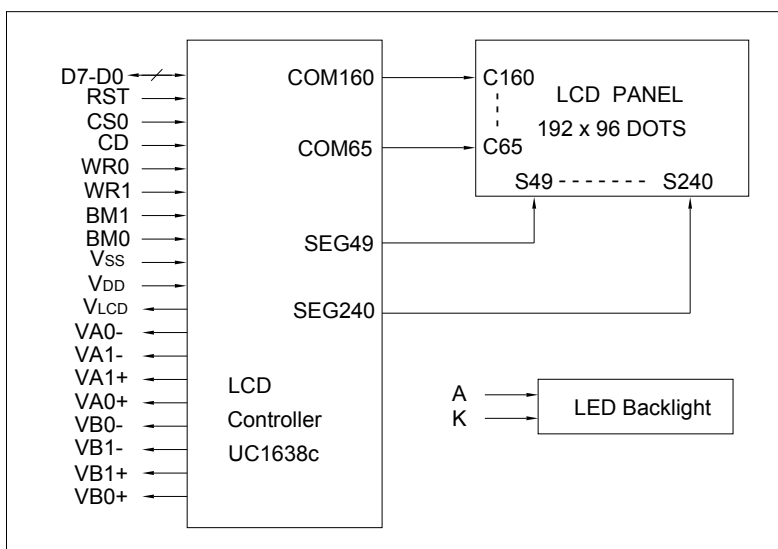
## ELECTRICAL CHARACTERISTICS (V<sub>DD</sub>=3.3V±0.3V)

Item	Symbol	Test Condition	Min.	Typ.	Max.	Unit
Input High Voltage	V <sub>IH</sub>	--	0.8V <sub>DD</sub>	--	V <sub>DD</sub>	V
Input Low Voltage	V <sub>IL</sub>	--	0	--	0.2V <sub>DD</sub>	V
Output High Voltage	V <sub>OH</sub>	--	0.8V <sub>DD</sub>	--	V <sub>DD</sub>	V
Output Low Voltage	V <sub>OL</sub>	--	0	--	0.2V <sub>DD</sub>	V
Supply Current	I <sub>DD</sub>	V <sub>DD</sub> = 3.3V	--	0.9	1.4	mA
LCD Driving Voltage	V <sub>LCD</sub> -V <sub>SS</sub>	T <sub>a</sub> =25°C	--	13.5	--	V

## PIN CONNECTIONS

Pin	Symbol	Level	Function
1	VB0+	--	LCD bias voltage
2	VB1+	--	LCD bias voltage
3	VB1-	--	LCD bias voltage
4	VB0-	--	LCD bias voltage
5	VA0+	--	LCD bias voltage
6	VA1+	--	LCD bias voltage
7	VA1-	--	LCD bias voltage
8	VA0-	--	LCD bias voltage
9	V <sub>LCD</sub>	--	LCD driving voltage
10-11	V <sub>DD</sub>	3.3V	Power supply for logic and booster
12-13	V <sub>SS</sub>	0V	GND
14	BM0	H/L	Bus mode selection
15	BM1	H/L	Bus mode selection
16	WR1	H/L	/RD for 80 MPU, E for 68 MPU
17	WR0	H/L	/WR for 80 MPU, R/W for 68 MPU
18	CD	H/L	H:Display data L:Instruction code
19	CS0	L	Chip selection signal. Active "L".
20	RST	L	Reset signal. Active "L".
21-28	D0-D7	H/L	Data bus

## BLOCK DIAGRAM



## LED BACKLIGHT SPECIFICATIONS (T<sub>a</sub>=25°C)

Item	Symbol	Typ.	Max.	Unit
Forward Voltage	V <sub>f</sub>	3.0	3.2	V
Forward Current	I <sub>f</sub>	40	--	mA
LED Color		White		