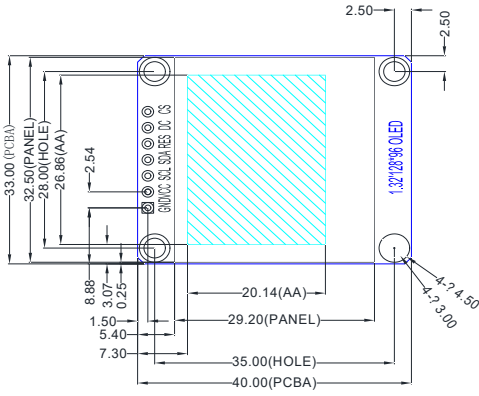


Sheet	Date	Revised
A	20/06/2015	
Original Drawing		



Pin Descriptions	
Pin	Symbol
1	GND
2	VCC
3	SCL
4	SDA
5	RES
6	DC
7	CS

- NOTES:
1. DISPLAY TYPE: 1.32" OLED
  2. VIEWING DIRECTION: ALL
  3. POLARIZER MODE: TRANSMISSIVE/NORMALLY BLACK
  4. DRIVER IC: SSD1327
  5. Resolution: 128X96
  6. INTERFACE: SPI/IIC (The default is SPI interface)
  7. VOLTAGE: 3.3V
  7. OPERATING TEMP: -40° C ~ 70° C

Customer Approval	Red Army Technology Inc.	Drawn By	W.L.
Checked		Checked	Material
Approved		Product Name	Red Army Technology
Drawn	Red Army Technology Inc.	Product Name	Red Army Technology
Checked		Product Name	Red Army Technology
Approved		Product Name	Red Army Technology
Drawn		Product Name	Red Army Technology
Checked		Product Name	Red Army Technology
Approved		Product Name	Red Army Technology