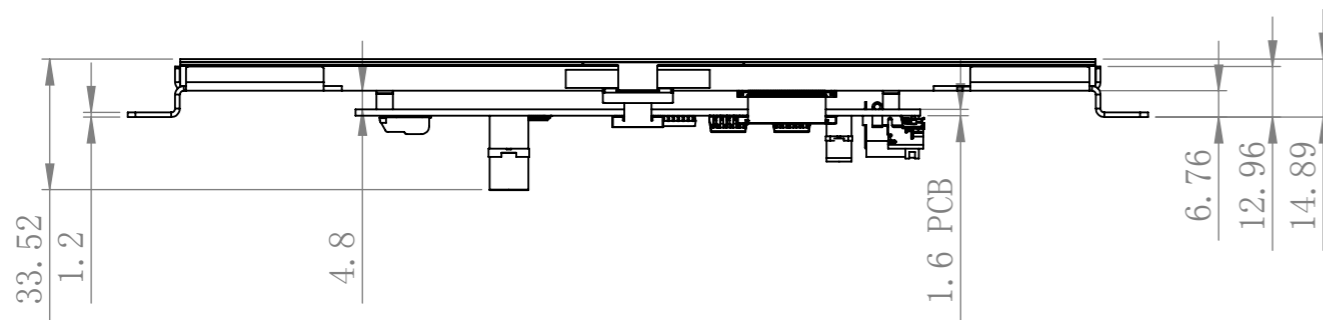
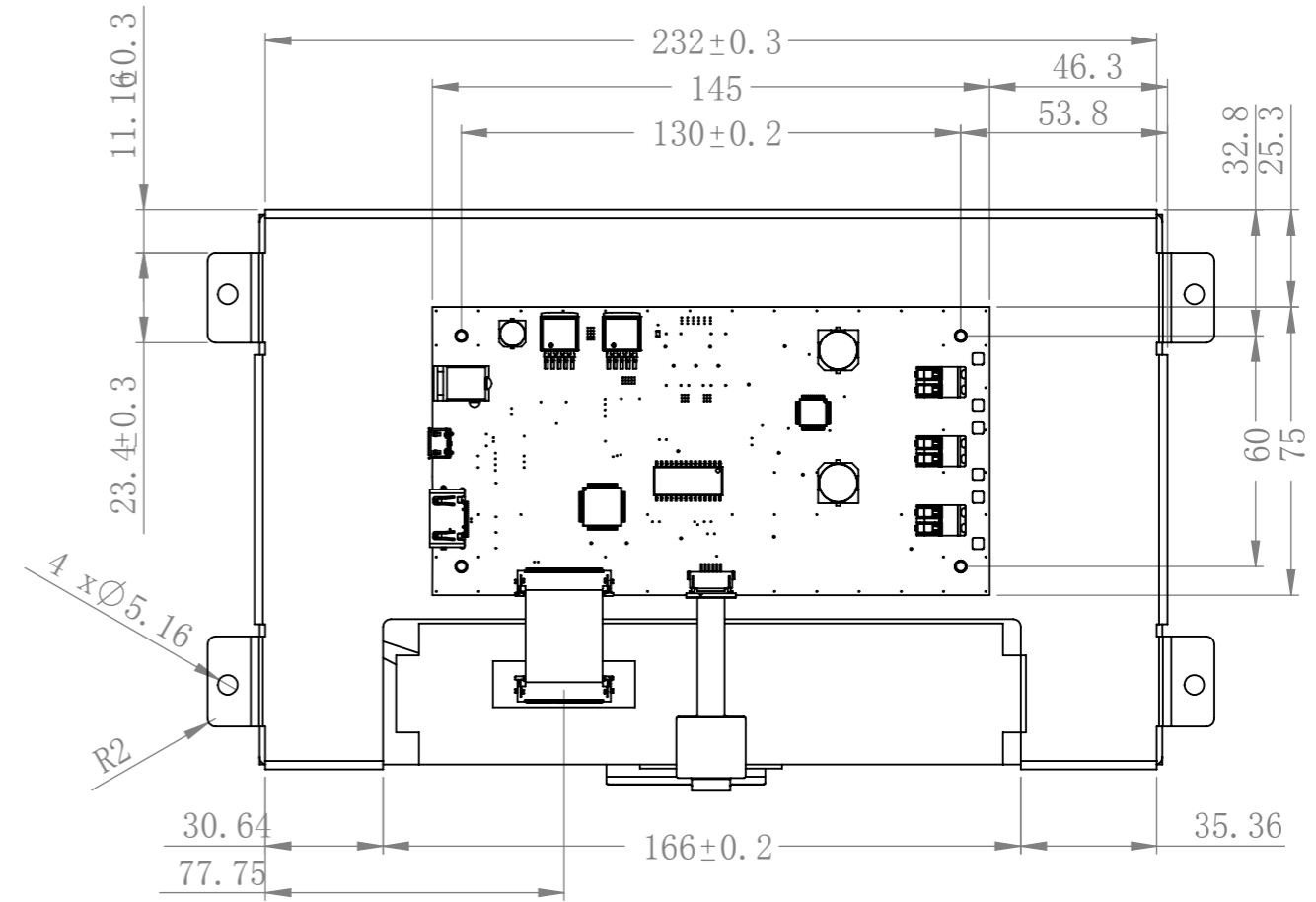
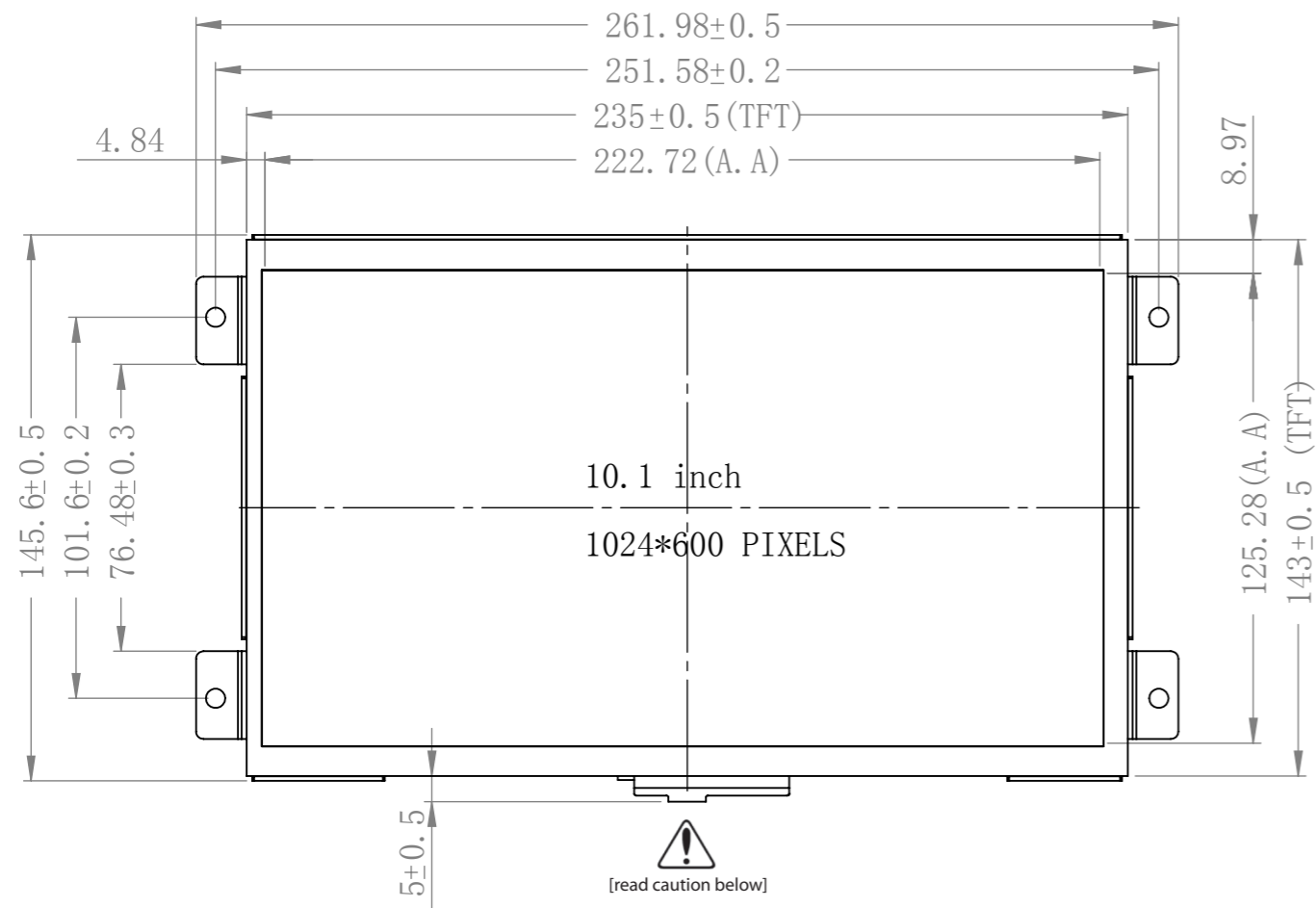


Mechanical Drawing



Product Description: 10.1" 1024x600 IPS HDMI TFT w/ Capacitive Touch

1. Driver IC: ADV7611

2. Interface: HDMI, USB

3. Power Requirement: 7.5V

4. Optical Features: Full view, Normally Black, Transmissive, 680 cd/m²

Improper handling of the FPC connections at the bottom edge of this module may cause damage resulting in display or touch failure. Take special care when handling this area of the display module to make sure these connections are never strained nor created.

| | | |
|---|---|---------------------------|
| Standard Tolerance: (Unless otherwise specified) Linear: ±0.3mm | Radiant-way Technology Inc. | |
| | Drawing/Part Number: RDT-10.1-HDMI-A-RSXP-CTU | Revision: - |
| Unless otherwise specified: • Dimensions are in Millimeters • Third Angle Projection | Drawn By: | Approved By: |
| | Drawn Date: 12/11/2022 | Approved Date: 12/11/2022 |