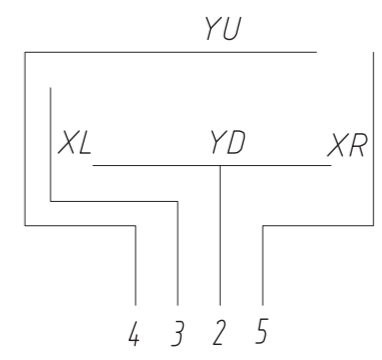
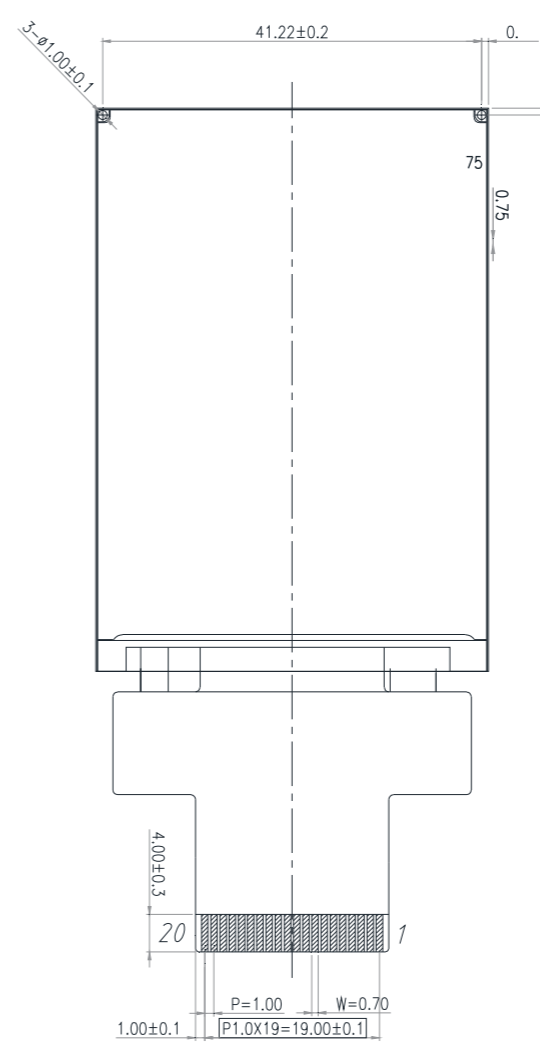
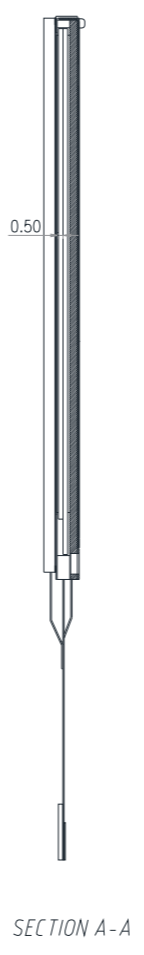
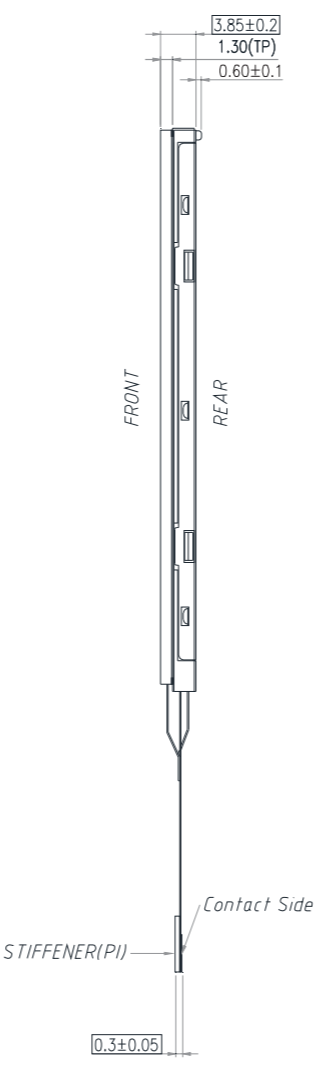
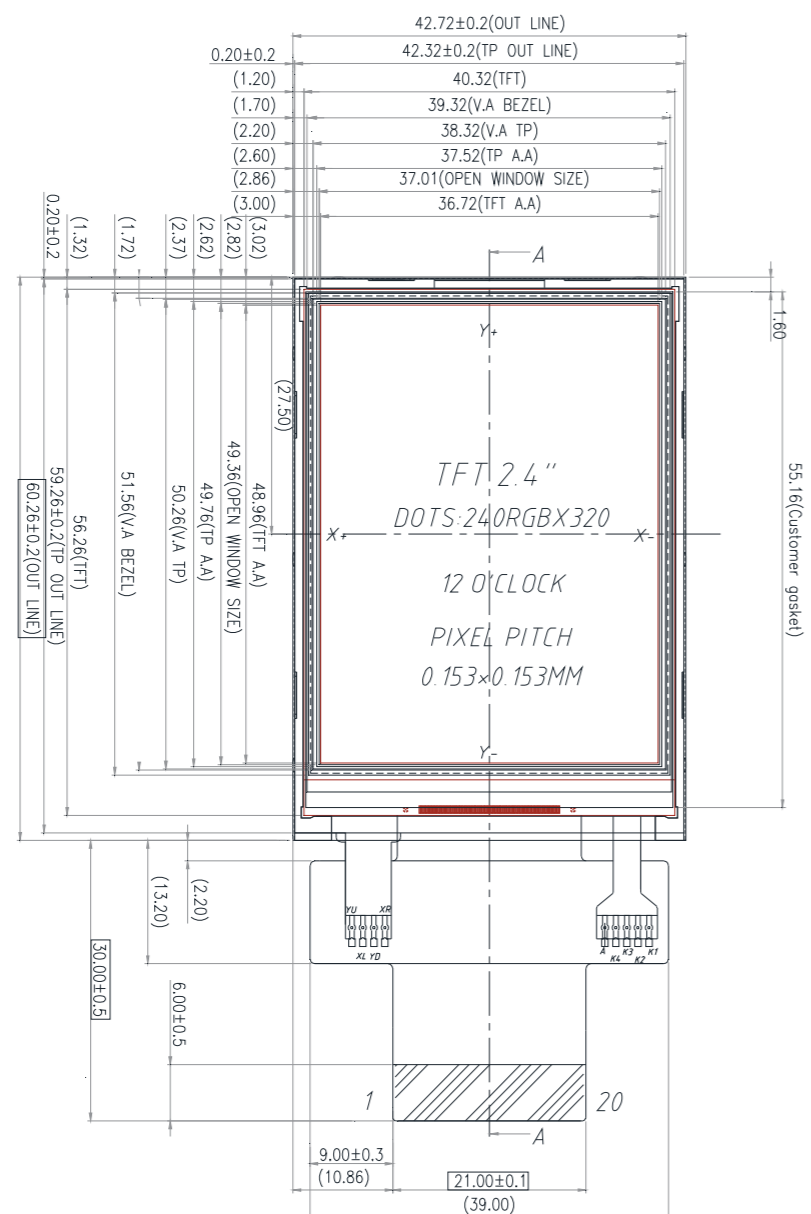
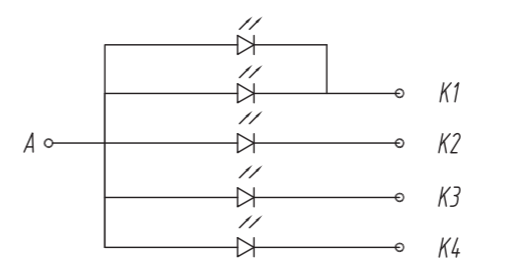


SYMBOL	REVISION	DATE



Pin No.	Symbol
1	GND
2	YD
3	XL
4	YU
5	XR
6	V _{DD}
7	IOV _{DD}
8	MOSI
9	MISO
10	SCLK
11	D/C
12	/CS
13	/RES
14	IM0
15	IM1
16	LED-K1
17	LED-K2
18	LED-K3
19	LED-K4
20	LED-A

- Notes:**
- Display Size: 2.4" TFT
 - Op mal View: Full View
 - Display Mode: Transmissive / Anti-Glare
 - Driver IC: ST7789Vi
 - Supply Voltage: 3.3 V
 - Backlight: White LED / 3.1V /100mA (TYP)
 - Brightness: 640 cd/m² (Typ)
 - 3M Brightness Enhancement Film



LED Source (CIRCUIT DIAGRAM)

STANDARD TOLERANCE: (UNLESS OTHERWISE SPECIFIED)	Radiant-way Technology Inc.	
LINEAR: ±0.2mm	DRAWING/PART NUMBER: RDT-2.4-240320CF-BSXV-FT	REVISION: 1A
- DIMENSIONS ARE IN MILLIMETERS	DRAWN BY:	APPROVED BY:
UNLESS OTHERWISE SPECIFIED:	DRAWN DATE: 3/31/21	APPROVED DATE: 3/31/21
- THIRD ANGLE PROJECTION	DO NOT SCALE DRAWING	
	SHEET 1 OF 1	