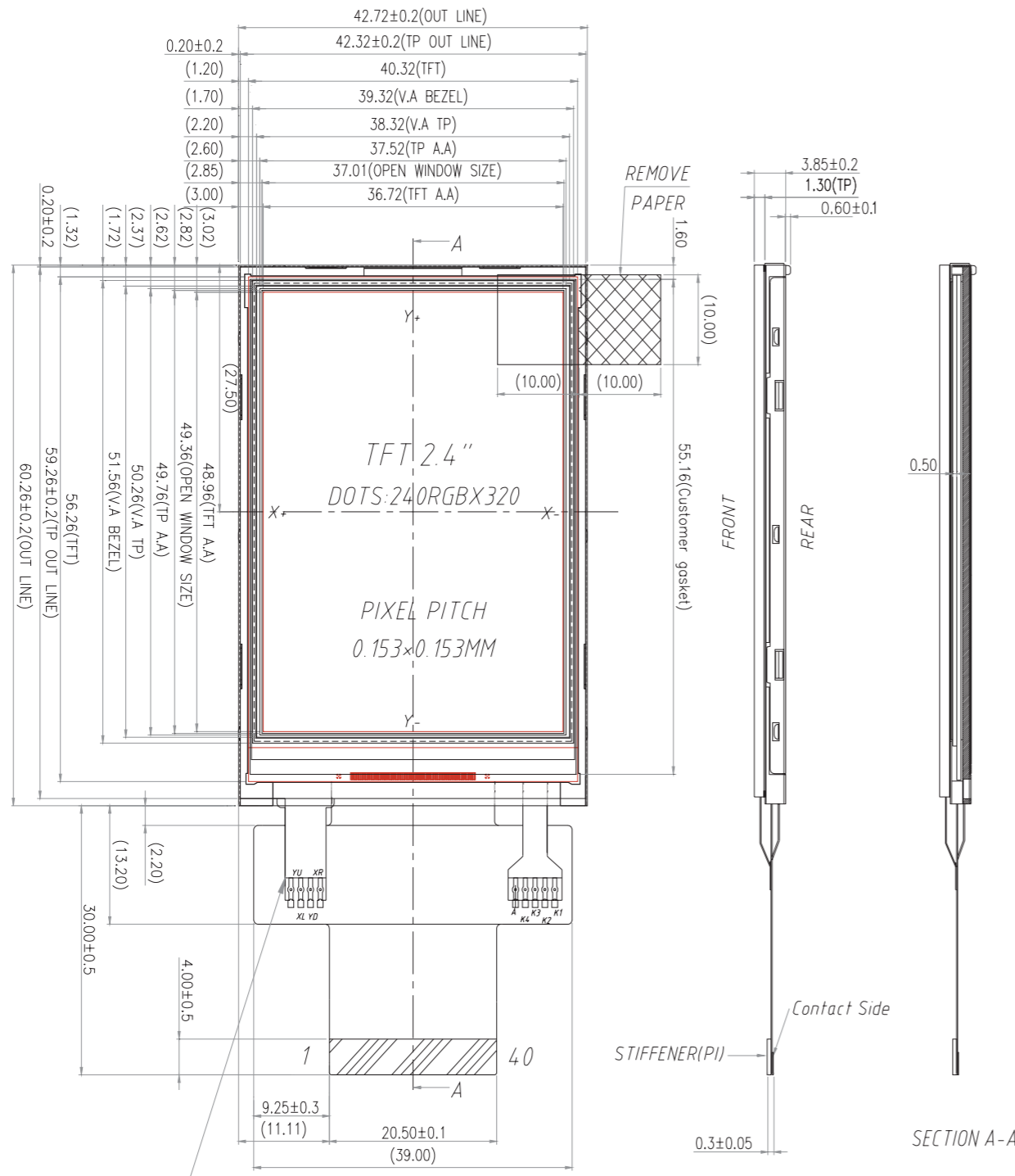


# Mechanical Drawing

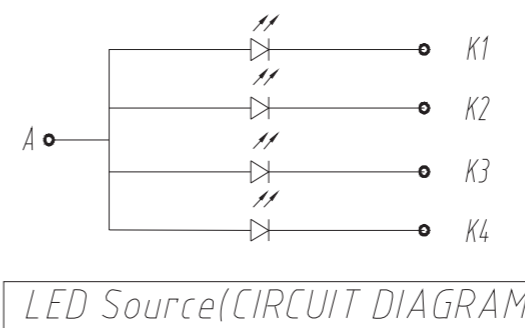
SYMBOL	REVISION	DATE



The FPC length of TP is 15mm

No:	PIN NAME
1	GND
2	YD
3	XL
4	YU
5	XR
6	NC
7	VDD
8	IOVDD
9	NC
10	/CS
11	D/C
12	/WR
13	/RD
14	DB0
15	DB1
16	DB2
17	DB3
18	DB4
19	DB5
20	DB6
21	DB7
22	DB8
23	DB9
24	DB10
25	DB11
26	DB12
27	DB13
28	DB14
29	DB15
30	/RES
31	IM0
32	NC
33	GND
34	LED-K1
35	LED-K2
36	LED-K3
37	LED-K4
38	LED-A
39	GND
40	NC

- Display Size: 2.4" TFT
- Optimal View: 6:00
- Display Mode: Transmissive / Normally White / Anti-Glare
- Driver IC: ST7789Vi: 8-16Bit Parallel Interface
- Supply Voltage: 3.3V
- Backlight: White LED/ 80 mA (Typ) / 3.1V
- Brightness: 280 cd/m<sup>2</sup> (Typ)
- Touch Panel: 4-Wire Resistive



STANDARD TOLERANCE: (UNLESS OTHERWISE SPECIFIED)  <b>LINEAR: ±0.3mm</b>  - DIMENSIONS ARE IN MILLIMETERS  UNLESS OTHERWISE SPECIFIED:  - THIRD ANGLE PROJECTION	<b>Radiant-way Technology Inc.</b>	
	DRAWING/PART NUMBER: <b>RDT-2.4-240320CF-CTXI#-FT</b>	
	DRAWN BY:	APPROVED BY:
	DRAWN DATE: 3/23/21	APPROVED DATE: 3/23/21