

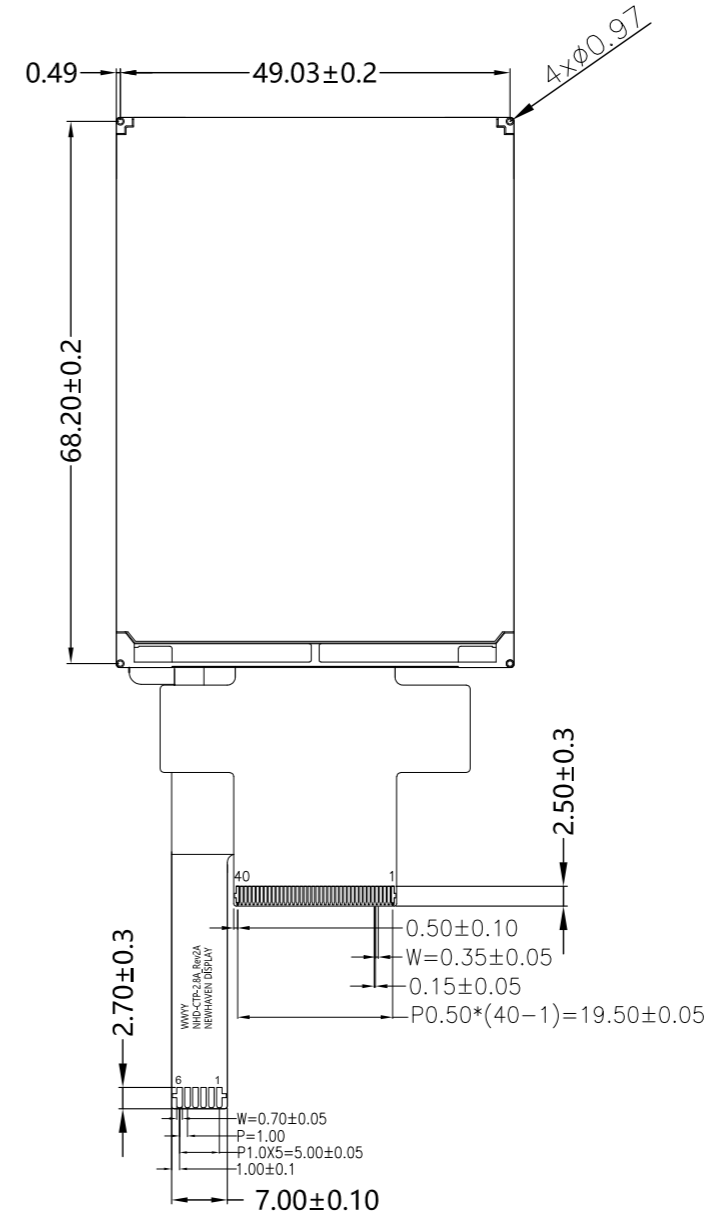
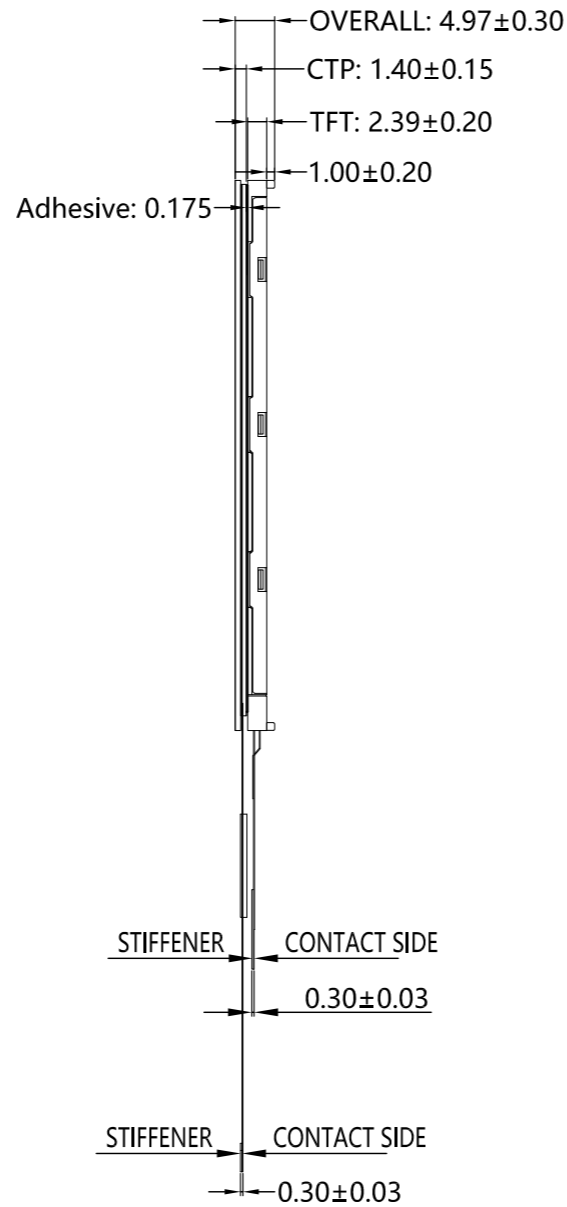
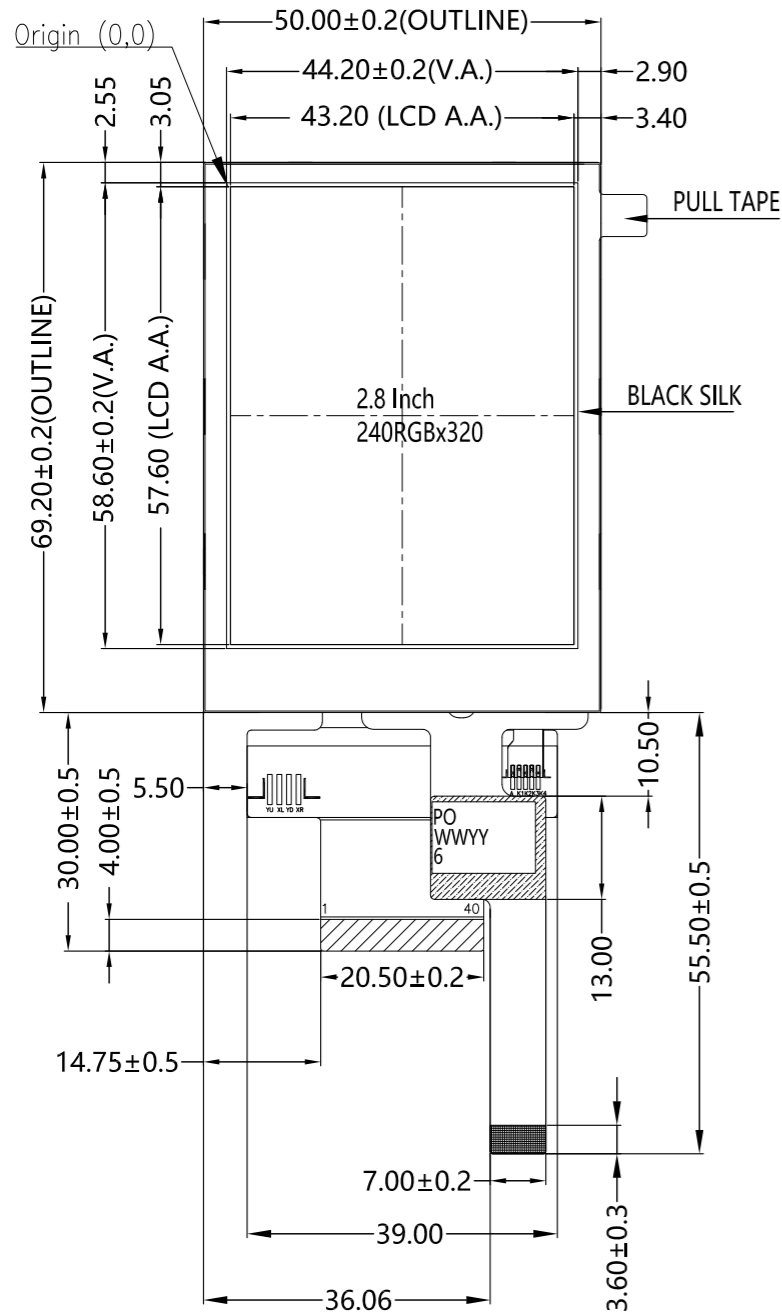
Mechanical Drawing

Newhaven Display

NHD-2.8-240320AF-CSXP-FCTP

Date Code

Part Label (type/format may vary)



Pin Definitions

PIN No.	SYMBOL
1	GND
2	NC
3	NC
4	NC
5	NC
6	NC
7	VDD
8	IOVDD
9	NC
10	/CS
11	D/C
12	/WR
13	/RD
14	DB0
15	DB1
16	DB2
17	DB3
18	DB4
19	DB5
20	DB6
21	DB7
22	DB8
23	DB9
24	DB10
25	DB11
26	DB12
27	DB13
28	DB14
29	DB15
30	/RES
31	IMO
32	NC
33	GND
34	LEDK1
35	LEDK2
36	LEDK3
37	LEDK4
38	LEDA
39	GND
40	NC

PIN	SYMBOL
PIN1	VDD
PIN2	GND
PIN3	SCL
PIN4	SDA
PIN5	INT
PIN6	RESET

E Product Description: 2.8" 240x320 IPS TFT w/ Capacitive Touch

1. Driver IC: ST7789Vi TFT, FT5426 CTP

2. Interface: 8/16-bit Parallel TFT, I²C CTP

3. Power Requirement: 3.3V TFT, 3.1V/100mA Backlight, 3.3V CTP

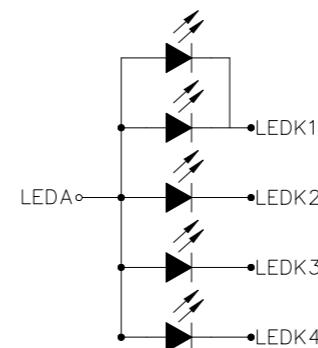
4. Optical Features: Normally Black, Transmissive, 510cd/m²

5. Recommended FFC Connector:

TFT: 40pin 0.5mm; Molex 54132-4062

CTP: 6pin 1.0mm; Molex 52271-0679

6. Key Features: 5-point Multitouch



Standard Tolerance: (Unless otherwise specified)	NEWHAVEN DISPLAY INTERNATIONAL	
	Drawing/Part Number: NHD-2.8-240320AF-CSXP-FCTP	Revision: -
Unless otherwise specified: • Dimensions are in Millimeters • Tolerances are in Millimeters	Drawn By: K. Lewis	Approved By: K. Lewis
	Drawn Date: 09/05/2023	Approved Date: 09/05/2023
This drawing is solely the property of Newhaven Display International, Inc. The information it contains is not to be disclosed, reproduced or copied in whole or part without written approval from Newhaven Display.		