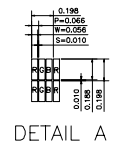
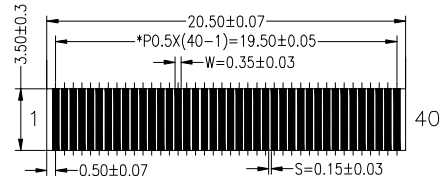
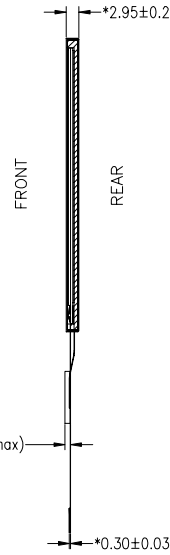
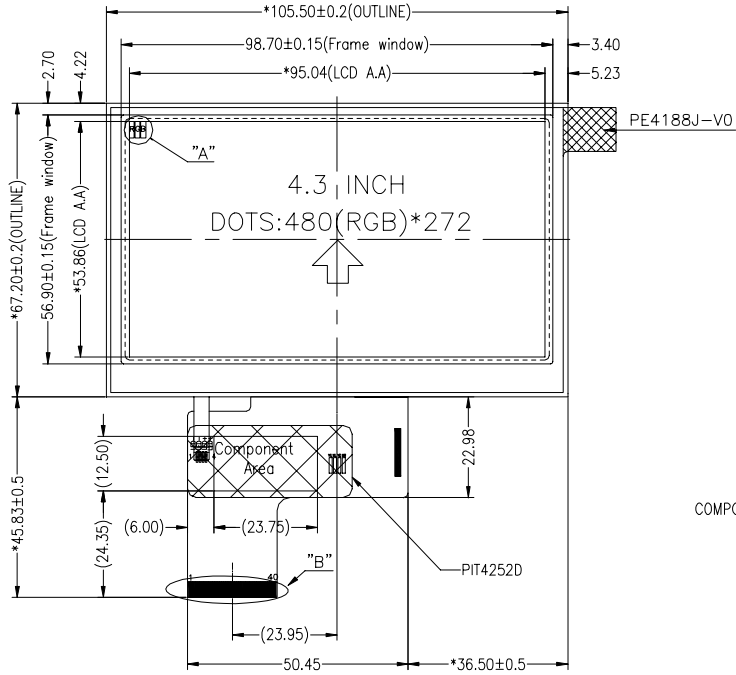


# Mechanical Drawing



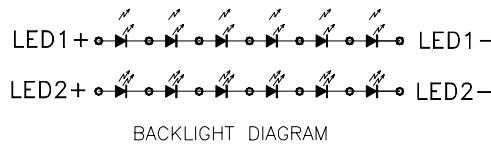
1	LED1-
2	LED2-
3	LED2+
4	LED1+

## PIN FUNCTION

PIN	description
1	VLED-
2	VLED+
3	GND
4	VDD
5	R0
6	R1
7	R2
8	R3
9	R4
10	R5
11	R6
12	R7
13	G0
14	G1
15	G2
16	G3
17	G4
18	G5
19	G6
20	G7
21	B0
22	B1
23	B2
24	B3
25	B4
26	B5
27	B6
28	B7
29	GND
30	PCLK
31	DISP
32	HSYNC
33	VSYNC
34	DE
35	AVDD
36	GND
37	XR
38	YD
39	XL
40	YU

## NOTES:

1. DISPLAY TYPE:TFT 16.7M color
2. VIEWING DIRECTION: 6 O'CLOCK
3. POLARIZER: TRANSMISSIVE/POSITIVE
4. MODULE BRIGHTNESS: 280cd/m2 MIN
5. OPERATING TEMP: -20°C ~70°C
6. STORAGE TEMP: -30°C ~80°C
7. IC: COG HX8257
8. GENERAL TOLERANCE: ±0.2



DETAIL B SCALE 4:1  
 TYPE:FH19S-40S-0.5SH(51)

Radiant-way Technology Inc.

RDT-4.3-480272MF-ATXI#-1