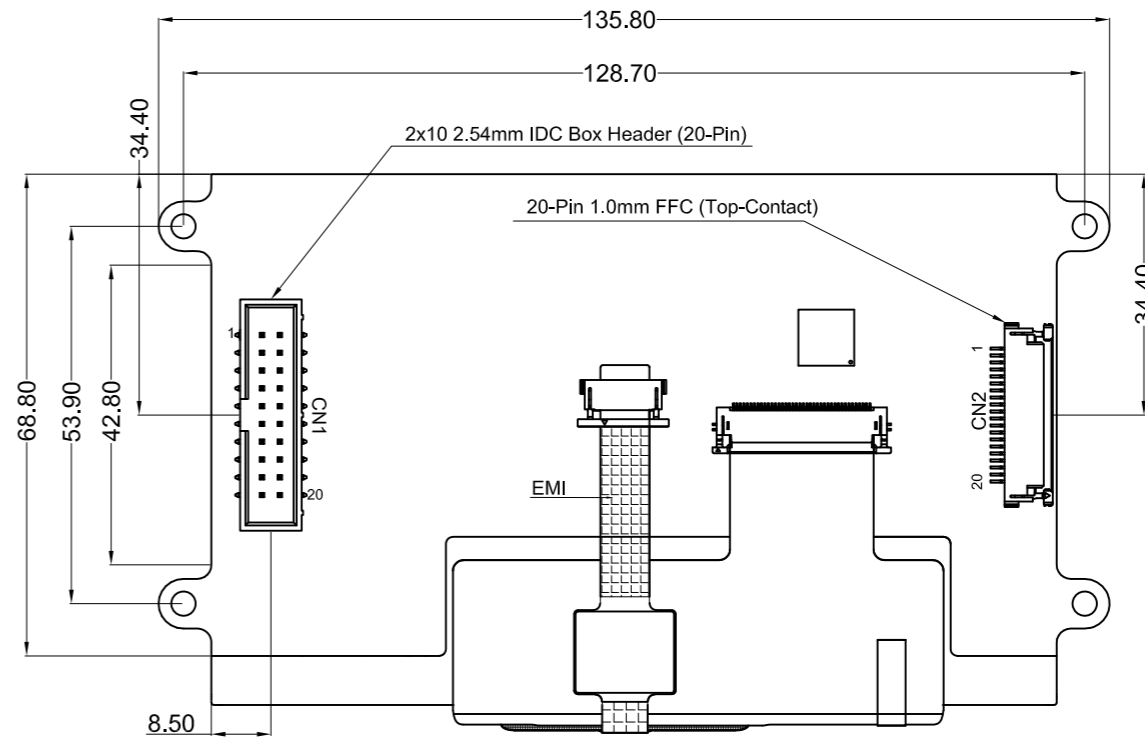
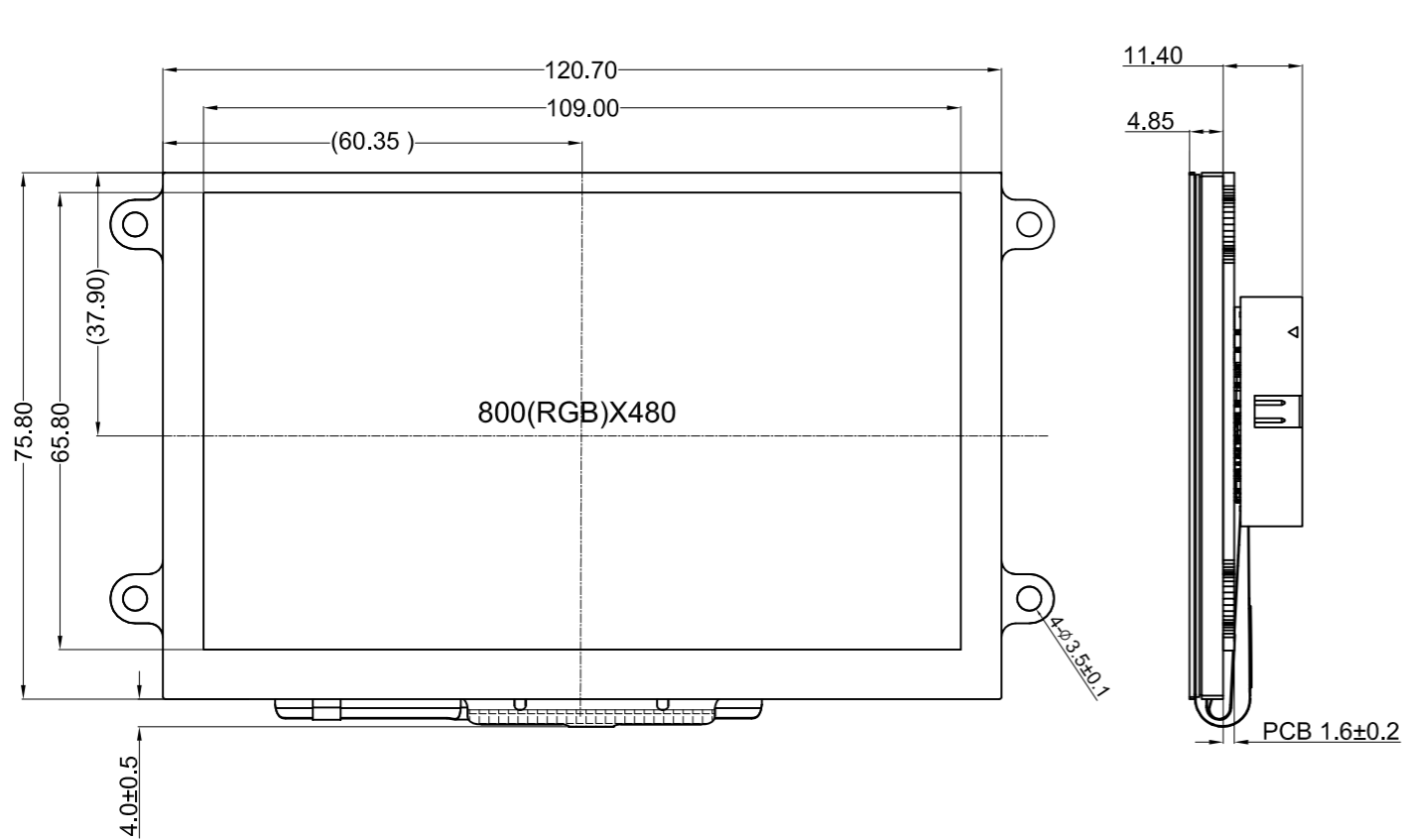


Mechanical Drawing



CN1/CN2 Pinout	
NO.	Symbol
1	VDD
2	GND
3	SCK
4	MISO/IO1
5	MOSI/IO0
6	/CS
7	/INT
8	/PD
9	AUDIO_L
10	NC
11	GPIO0/IO2
12	GPIO1/IO3
13	GPIO2
14	GPIO3
15	NC
16	NC
17	VBL
18	VBL
19	GND
20	GND

Product Description: 5.0" 800x480 EVE2 TFT w/ Capacitive Touch

1. Driver IC: FT813
2. Interface: SPI, D-SPI, Q-SPI
3. Power Requirement: 3.3V EVE2, 3.3V/590mA Backlight
3. Optical Features: Normally Black, Transmissive, 527cd/m²
4. Recommended Cable:
 - CN1: 2x10pin 2.54mm pitch IDC cable
 - CN2: 20pin 1.0mm pitch FFC
5. EMI Shielded FPC

Standard Tolerance: (Unless otherwise specified) Linear: ±0.3mm	Radiant-way Technology Inc.	
	Drawing/Part Number: RDT-5.0-800480FT-CTXL-CTP	Revision: -
Unless otherwise specified: • Dimensions are in Millimeters • Third Angle Projection	Drawn By:	Approved By:
	Drawn Date: 02/28/2023	Approved Date: 02/28/2023