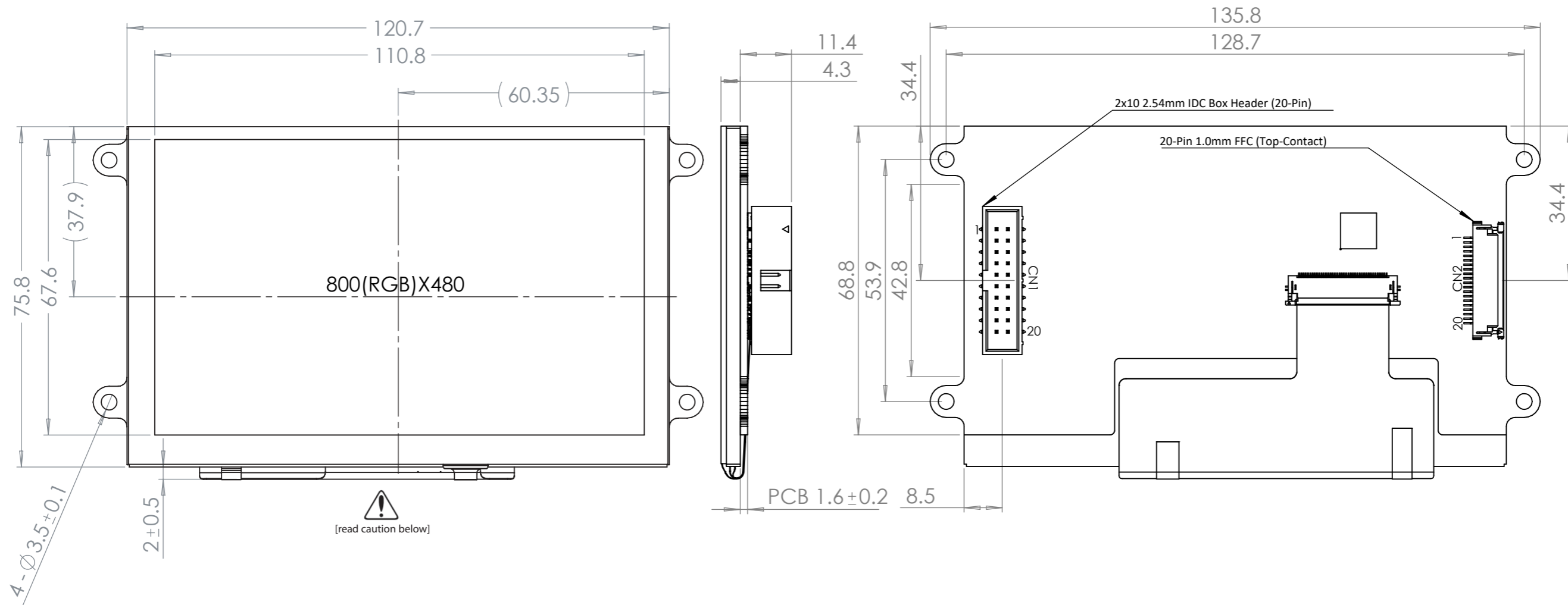


Mechanical Drawing



Pin Assignment	
NO.	Symbol
1	VDD
2	GND
3	SCK
4	MISO/IO1
5	MOSI/IO0
6	/CS
7	/INT
8	/PD
9	AUDIO_L
10	NC
11	GPIO0/IO2
12	GPIO1/IO3
13	GPIO2
14	GPIO3
15	NC
16	NC
17	VBL
18	VBL
19	GND
20	GND

- Product Description: 5" 800x480 EVE2 TFT w/ Resistive Touch**
1. Driver IC: FT812
 2. Interface: SPI, D-SPI, Q-SPI
 3. Power Requirement: 3.3V EVE2, 3.3V/590mA Backlight
 4. Optical Features: Normally Black, Transmissive, Anti-Glare, 480cd/m²
 5. Recommended Cable:

- CN1: 2x10pin 2.54mm pitch IDC cable
- CN2: 20pin 1.0mm pitch FFC

! Improper handling of the FPC connections at the bottom edge of this module may cause damage resulting in display or touch failure. Take special care when handling this area of the display module to make sure these connections are never strained nor creased.

Standard Tolerance: (Unless otherwise specified) Linear: ±0.3mm	Radiant-way Technology Inc.	
	Drawing/Part Number: RDT-5.0-800480FT-CTXL-T	Revision: -
Unless otherwise specified: • Dimensions are in Millimeters • Third Angle Projection	Drawn By:	Approved By:
	Drawn Date: 02/28/2023	Approved Date: 02/28/2023